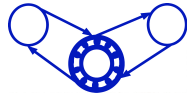


Townsend Bearings

**DRIVES,
CONTROLLERS
&
COUPLINGS
CATALOGUE**

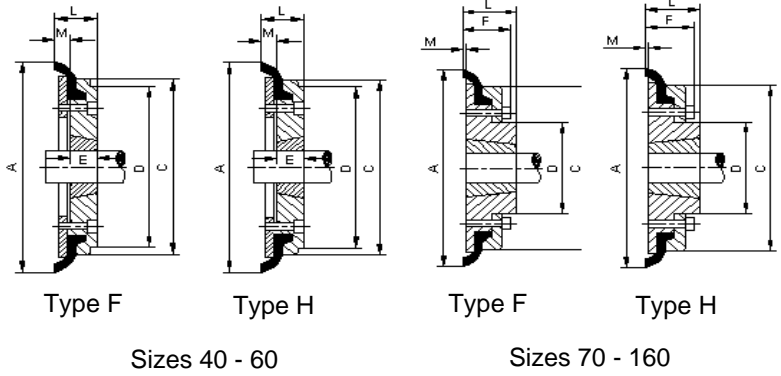
COUPLINGS & UNIVERSAL JOINTS





Townsend Bearings

**Taper Bore
Tyre Couplings
Industry Standard
Rubber Tyre Couplings
with Taper Bore Hubs**



Taper Hub Flanges													
Size	Bush	Max Bore		Types F & H			A	C	D	F	G	M	Wt kg
	No.	Metric	Inch	L	E	J							
F40F	1008	25	1	33	22	29	104	82	-	-	-	11	0.8
F40H	1008	25	1	33	22	29	104	82	-	-	-	11	0.8
F50F	1210	32	1 1/4	38	25	38	133	100	79	-	-	12.5	1.2
F50H	1210	32	1 1/4	38	25	38	133	100	79	-	-	12.5	1.2
F60F	1610	42	1 5/8	42	25	38	165	125	103	-	-	16.5	2
F60H	1610	42	1 5/8	42	25	38	165	125	103	-	-	16.5	2
F70F	2012	50	2	44	32	42	187	144	80	50	13	11.5	3.1
F70H	1610	42	1 5/8	42	25	38	187	144	80	50	13	11.5	3
F80F	2517	60	2 1/2	58	45	48	211	167	95	54	16	12.5	4.9
F80H	2012	50	2	45	32	42	211	167	98	54	16	12.5	4.6
F90F	2517	60	2 1/2	59.5	45	48	235	188	108	60	16	13.5	7
F90H	2517	60	2 1/2	59.5	45	48	235	188	108	60	16	13.5	7
F100F	3020	75	3	65.5	51	55	254	216	120	62	16	13.5	9.9
F100H	2517	60	2 1/2	59.5	45	48	254	216	113	62	16	13.5	9.4
F110F	3020	75	3	63.5	51	55	279	233	134	62	16	12.5	11.7
F110H	3020	75	3	63.5	51	55	279	233	134	62	16	12.5	11.7
F120F	3525	100	4	79.5	65	67	314	264	140	67	16	14.5	16.5
F120H	3020	75	3	65.5	51	55	314	264	140	67	16	14.5	15.9
F140F	3525	100	4	81.5	65	67	359	311	178	73	17	16	22.3
F140H	3525	100	4	81.5	65	67	359	311	178	73	17	16	22.3
F160F	4030	115	4 1/2	92	77	80	402	345	197	78	19	15	32.5
F160H	4030	115	4 1/2	92	77	80	402	345	197	78	19	15	32.5

Tyres			
Size	Power kW / 100 rpm	Max. Speed (rpm)	Wt. kg
F40	0.22	4500	0.1
F45	0.39	4500	0.2
F50	0.56	4500	0.3
F60	1.11	4000	0.5
F70	1.7	3600	0.7
F80	2.65	3100	1
F85	3.2	3000	1
F90	3.82	2880	1.1
F100	5.29	2600	1.1
F110	7.46	2300	1.4
F120	12.4	2050	2.3
F140	19.7	1800	2.6
F160	32.6	1600	3.4

All dimensions in mm unless specified
 If a dimension is critical to your application please contact our sales department for confirmation.
 Please note : errors and omissions excepted.