

Townsend Bearings



Inverters and Electric Motors



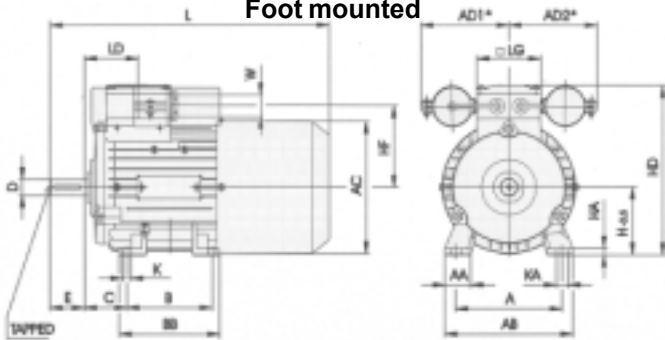
Size	kW	Poles	A	AA	AB	AC	AD1	AD2	B	B1	BB	C	H	HA	HD	HF	K	KA	L	LA	LD	LF	LG	W
63	0.18	2	100	27	120	118	99	94	80	N/A	96	40	63	7	164	77.5	7	10	253.5	8	69.5	259.5	75	M25 x 1.5
63	0.12	4	100	27	120	118	99	94	80	N/A	96	40	63	7	164	77.5	7	10	279.5	8	69.5	285.5	75	M25 x 1.5
71	All Sizes	2	112	30.5	132	139	99	94	90	N/A	106	45	71	7	182	87.5	7	10	291.5	9	63.5	290.5	75	M25 x 1.5
80	All Sizes	4	125	30.5	150	156.5	103.5	103.5	100	N/A	118	50	80	8	200	96.5	9.5	13.5	327.5	10	63.5	316.5	75	M25 x 1.5
90S	All Sizes	2	140	30.5	165	173.6	109	114	100	(125)	143	56	90	10	218	104.5	10	14	382.5	10	79	384.5	75	M25 x 1.5
90L	All Sizes	4	140	30.5	165	173.6	109	114	(100)	125	143	56	90	10	218	104.5	10	14	382.5	10	79	384.5	75	M25 x 1.5
100L	All Sizes	4	160	42	196	196	138	138	140	N/A	176	63	100	12	263	123	12	16	458	11	102	449	120	M32 x 1.5

Size	kW	Poles	Shaft					B5 Flange					B14A Flange					B14B Flange						
			D	E	F	G	GD	M	N	P	S	T	RA	M	N	P	S	T	RA	M	N	P	S	T
63	0.18	2	11	23	4	8.5	4	115	95	140	10	3	10	75	60	90	M5	2.5	12	100	80	120	M6	3
63	0.12	4	11	23	4	8.5	4	115	95	140	10	3	10	75	60	90	M5	2.5	12	100	80	120	M6	3
63	0.25	2	14	30	5	11	5	130	110	160	10	3.5	12	85	70	105	M6	2.5	13	115	95	140	M8	3
63	0.18	4	19	40	6	15.6	6	165	130	200	12	3.5	12	100	80	120	M6	3	13	130	111	160	M8	3.5
71	All Sizes	2	24	50	8	20	7	165	130	200	12	3.5	18	115	95	140	M8	3	18	130	110	160	M8	3.5
80	All Sizes but*	4	24	50	8	20	7	165	130	200	12	3.5	18	115	95	140	M8	3	18	130	110	160	M8	3.5
90S	All Sizes	2	28	60	8	24	7	215	180	250	14.5	4	14	130	110	160	M8	3.5	12	165	130	200	M10	3.5
90L	All Sizes	4	28	60	8	24	7	215	180	250	14.5	4	14	130	110	160	M8	3.5	12	165	130	200	M10	3.5
100L	All Sizes	4	28	60	8	24	7	215	180	250	14.5	4	14	130	110	160	M8	3.5	12	165	130	200	M10	3.5

B3

RA - depth of tapped hole in flange

Foot mounted



Quality Ball Bearings DE / NDE

63 frame	6201 / 6201 2Z C3
71 frame	6202 / 6202 2Z C3
80 frame	6004 / 6004 2Z C3
90 frame	6205 / 6004 2Z C3
100 frame	6206 / 6205 2Z C3

B5

Flange mounted

B3/B5 Foot & Flange

63 frame	shaft Ø	11mm - M4 x 13mm
71 frame	shaft Ø	14mm - M5 x 12.5 mm
80 frame	shaft Ø	19mm - M6 x 16mm
90 frame	shaft Ø	24mm - M8 x 19mm
100 frame	shaft Ø	28mm - M10 x 22mm

B14A

Flange Mounted B14B

Flange Mounted

B3/B14A Foot & Flange B3/B14B Foot & Flange