

Townsend Bearings



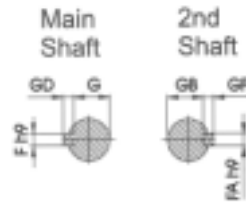
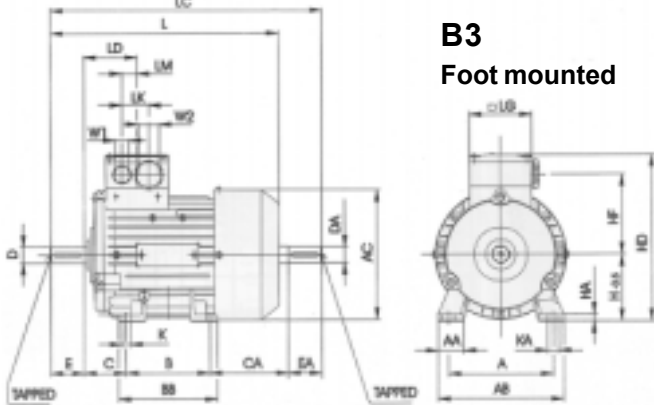
Inverters and Electric Motors



Size	A	AA	AB	AC	B	BB	C	CA	H	HA	HD	HF	HG	K	KA	L	LA	LB	LC	LD	LF	LG	LK	LM	W1	W2
56M	90	25	110	116	71	87	36	53	56	6	157	77.5	101	5.8	9	169	8	149	200	69.5	-	75	32	18	M16	M25
63M	100	27	120	118	80	96	40	66	63	7	164	77.5	101	7	10	202.5	8	179.5	232	69.5	208.5	75	32	18	M16	M25
71M	112	30.5	132	139	90	106	45	83	71	7	182	87.5	111	7	10	240	9	210	278	63.5	239	75	32	18	M16	M25
80M	125	30.5	150	156.5	100	118	50	94	80	8	200	96.5	120	9.5	13.5	273.5	10	233.5	324	63.5	262.5	75	32	18	M16	M25
90S	140	30.5	165	173.6	100	143	56	143	90	10	218	104.5	128	10	14	331	10	281	389	79	333	75	32	18	M16	M25
90L	140	30.5	165	173.6	125	143	56	118	90	10	218	104.5	128	10	14	331	10	281	389	79	333	75	32	18	M16	M25

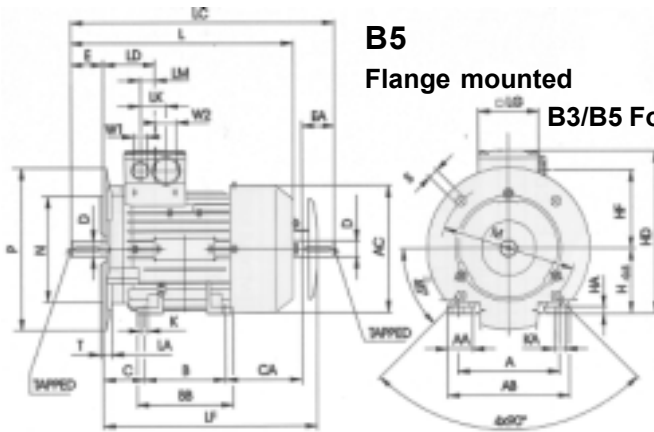
Size	Shaft					B5 Flange					B14A Flange					B14B Flange						
	D	E	F	G	GD	M	N	P	S	T	RA	M	N	P	S	T	RA	M	N	P	S	T
56M	9	20	3	7.2	3	100	80	120	7	3	10	65	50	80	M5	2.5	12	85	70	105	M6	2.5
63M	11	23	4	8.5	4	115	95	140	10	3	10	75	60	90	M5	2.5	12	100	80	120	M6	3
71M	14	30	5	11	5	130	110	160	10	3.5	12	85	70	105	M6	2.5	13	115	95	140	M8	3
80M	19	40	6	13	6	165	130	200	12	3.5	12	100	80	120	M6	3	13	130	111	160	M8	3.5
90S	24	50	8	20	7	165	130	200	12	3.5	18	115	95	140	M8	3	18	130	110	160	M8	3.5
90L	24	50	8	20	7	165	130	200	12	3.5	18	115	95	150	M8	3	18	130	110	160	M8	3.5

RA - depth of tapped hole in flange

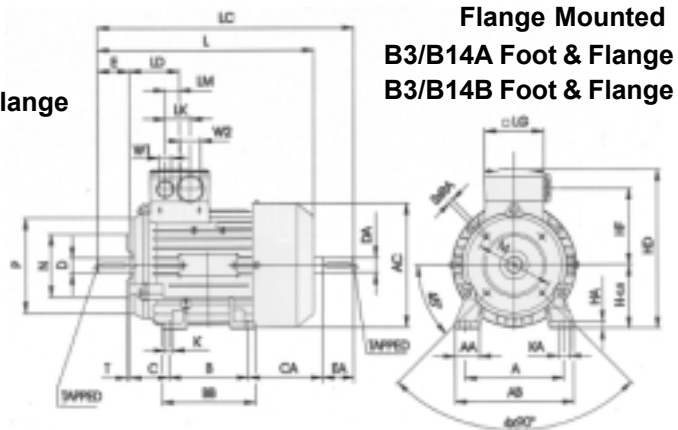


Quality Ball Bearings DE / NDE

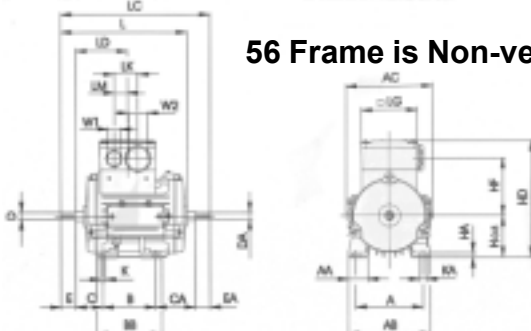
56 frame	6201 / 6201 2Z C3
63 frame	6201 / 6201 2Z C3
71 frame	6202 / 6202 2Z C3
80 frame	6004 / 6004 2Z C3
90 frame	6205 / 6004 2Z C3



B3/B5 Foot & Flange



56 Frame is Non-ventilated



56 frame	shaft Ø	9mm - M3 x 9mm
63 frame	shaft Ø	11mm - M4 x 13 mm
71 frame	shaft Ø	14mm - M5 x 12.5mm
80 frame	shaft Ø	19mm - M6 x 16mm
90 frame	shaft Ø	24mm - M8 x 19mm