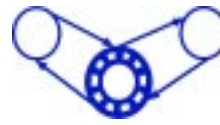


Townsend Bearings



Inverters and Electric Motors

3 Phase Motor Dimensions 100 - 160 Frame

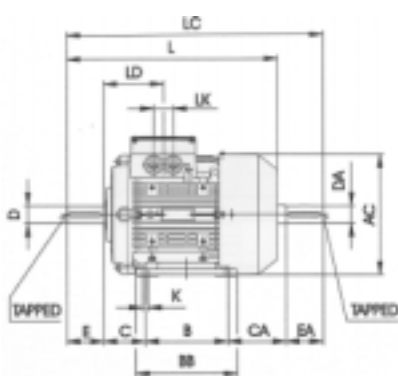


Townsend Bearings

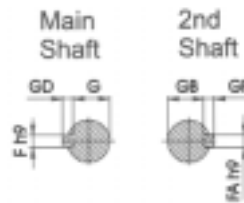
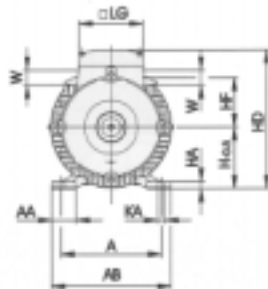
Size	A	AA	AB	AC	B	BB	C	CA	H	HA	HD	HF	HG	K	KA	L	LA	LB	LC	LD	LF	LG	LK	W1	W2
100L	160	42	196	196	140	176	63	125	100	12	235	78	135	12	16	372	11	312	438	102	363	120	42	M32	M32
112M	190	46	226	220	140	176	70	141	112	12	260	91	148	12	16	393	11	333	461	102	385	120	42	M32	M32
112M 2pole 5.5kW	190	46	226	220	140	176	70	179	112	12	260	91	148	12	16	431	11	371	499	102	423	120	42	M32	M32
112M 4pole 5.5kW	190	46	226	220	140	176	70	179	112	12	260	91	148	12	16	431	11	371	499	102	423	120	42	M32	M32
112M 6pole 3kW	190	46	226	220	140	176	70	141	112	12	260	91	148	12	16	393	11	333	461	102	385	120	42	M32	M32
132S	216	53	256	259	140	180	89	163	132	15	299	107	167	12	16	454	12	374	552	128	426	140	42	M32	M32
132M	216	53	256	259	178	218	89	125	132	15	299	107	167	12	16	454	12	374	552	128	426	140	42	M32	M32
132M 2pole 11kW	216	53	256	259	178	218	89	167	132	15	299	107	167	12	16	496	12	416	594	128	468	140	42	M32	M32
160M	254	60	300	314	210	256	108	183	160	18	357	127	197	14.5	19	588	13	478	721	160.5	531	165	54	M40	M40
160L	254	60	300	314	254	300	108	139	160	18	357	127	197	14.5	19	588	13	478	721	160.5	531	165	54	M40	M40

Size	Shaft					B5 Flange					B14A Flange						B14B Flange					
	D	E	F	G	GD	M	N	P	S	T	RA	M	N	P	S	T	RA	M	N	P	S	T
100L	28	60	8	24	7	215	180	250	14.5	4	14	130	110	160	M8	3.5	12	165	130	200	M10	3.5
112M	28	60	8	24	7	215	180	250	14.5	4	14	130	110	160	M8	3.5	14	165	130	200	M10	3.5
112M 2pole 5.5kW	28	60	8	24	7	215	180	250	14.5	4	14	130	110	160	M8	3.5	14	165	130	200	M10	3.5
112M 4pole 5.5kW	28	60	8	24	7	215	180	250	14.5	4	14	130	110	160	M8	3.5	14	165	130	200	M10	3.5
112M 6pole 3kW	28	60	8	24	7	215	180	250	14.5	4	14	130	110	160	M8	3.5	14	165	130	200	M10	3.5
132S	38	80	10	33	8	265	230	300	14.5	4	15	165	130	200	M10	3.5	-	-	-	-	-	-
132M	38	80	10	33	8	265	230	300	14.5	4	15	165	130	200	M10	3.5	-	-	-	-	-	-
132M 2pole 11kW	38	80	10	33	8	265	230	300	14.5	4	15	165	130	200	M10	3.5	-	-	-	-	-	-
160M	42	110	12	37	8	300	250	350	18.5	5	-	-	-	-	-	-	-	-	-	-	-	-
160L	42	110	12	37	8	300	250	350	18.5	5	-	-	-	-	-	-	-	-	-	-	-	-

RA - depth of tapped hole in flange



B3 Foot mounted



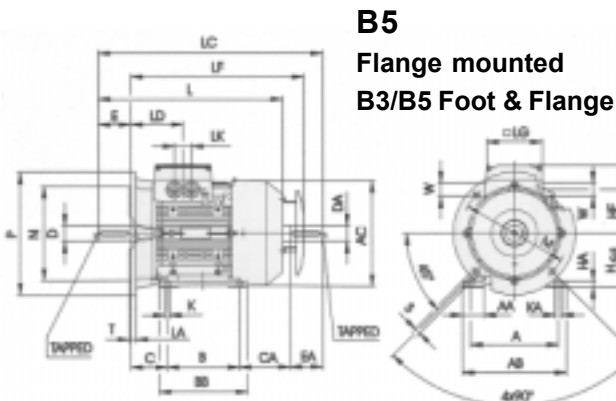
Quality Ball Bearings DE / NDE

100 frame	6206 / 6205 2Z C3
112 frame	6206 / 6205 2Z C3
132 frame	6208 / 6208 2Z C3
160 frame	6209 / 6209 2Z C3

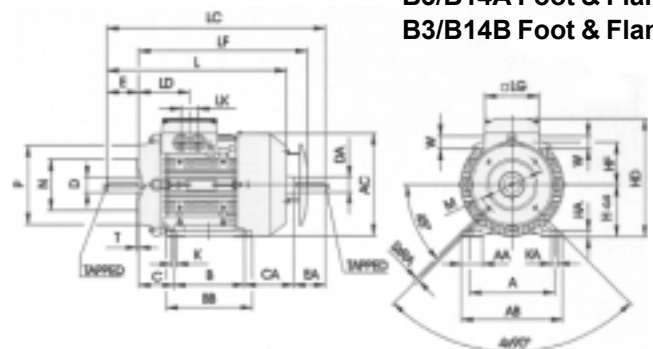
B14A Flange Mounted B14B

Flange Mounted

B3/B14A Foot & Flange B3/B14B Foot & Flange



B5 Flange mounted B3/B5 Foot & Flange



100 frame	shaft Ø	28mm - M10 x 22mm
112 frame	shaft Ø	28mm - M10 x 22mm
132 frame	shaft Ø	38mm - M12 x 28mm
160 frame	shaft Ø	42mm - M16 x 36mm